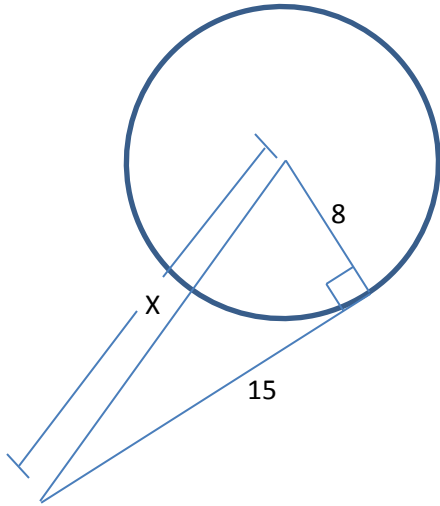
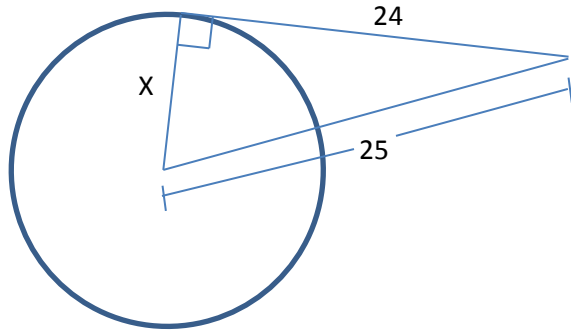


Assignment: Tangents and Circles

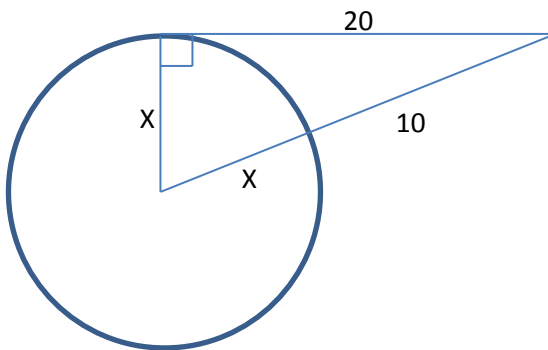
1. Solve for x:



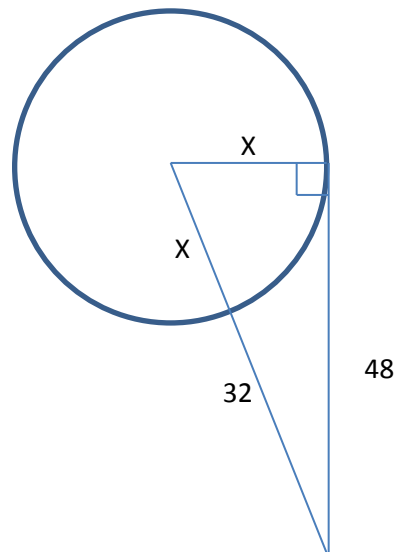
2. Solve for x:



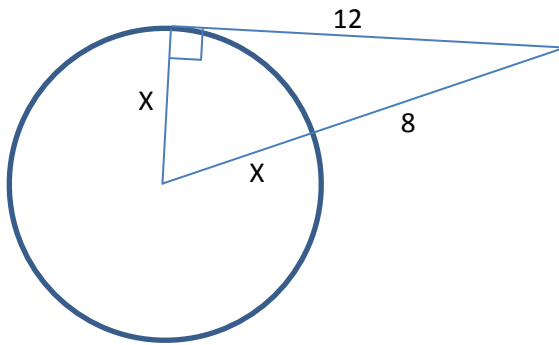
3. Solve for x:



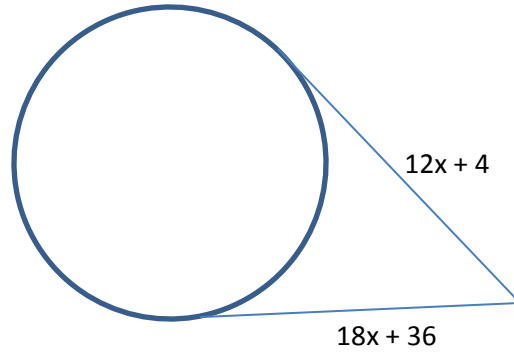
4. Solve for x:



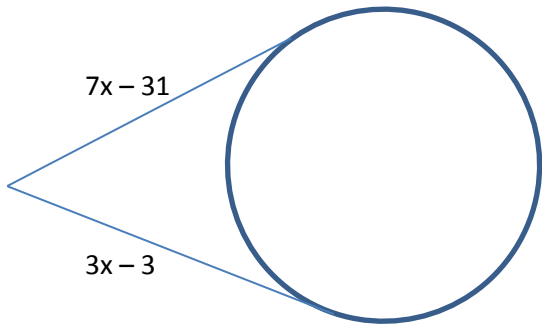
5. Solve for x:



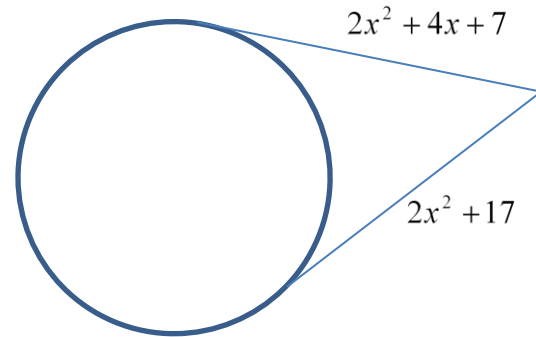
6. Solve for x:



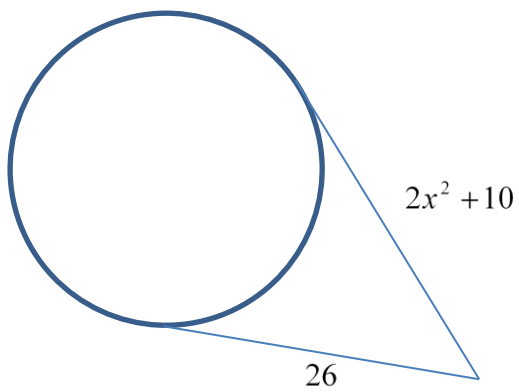
7. Solve for x:



8. Solve for x:



9. Solve for x:



10. Solve for x:

